

# LED Spotlight Bulb



## INTRODUCTION

### Features:

1. High efficiency and energy conservation, in the same bright, LED spotlight bulb is 1 kwh per 1000hrs, incandescent lamp is 1 kwh per 17 hrs, the halogen lamp is 1 kwh per 100hrs.
2. Beauty appearance, practical, great heat dissipation, high brightness, low brightness declines.
3. LED spotlight bulb doesn't contain mercury and other harmful substances, non-UV light without flicker, protection your eyes isn't easy to fatigue, no noise, ensure that the use of comfort and security.

### Applications :

Suitable for showcase windows, cafes, restaurants, gift shop artwork, museum and deparment stores for merchandise displaying. Also good for family living room and bedroom's lighting and decoration.



GN-HP-WW1W3-MR16

## NAMING RULES

GN - HP - WW 1W3 - MR16

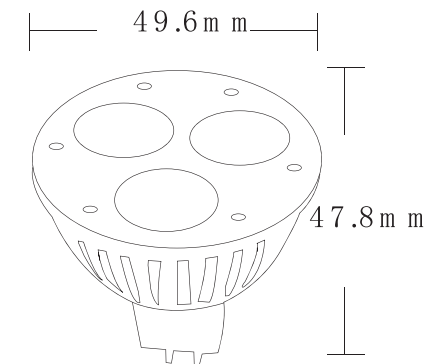
- Company name:G-NOR(GN)
- Product category:High Power LED
- Color
- LED Qty.
- Base

## SPECIFICATIONS

| Light source parameters |                |
|-------------------------|----------------|
| LED type                | SMD R20 1W LED |
| Angle(θ)                | 30°            |
| LED Qty                 | 3PCS           |
| Life Span               | >30,000 hours  |
| Electrical parameters   |                |
| Luminous flux(lm)       | 270lm          |
| Voltage                 | 12VDC/AC       |
| Power                   | 3W             |

| Appearance parameters    |               |
|--------------------------|---------------|
| Size                     | 49.6*47.8mm   |
| Color                    | CW/WW/R/G/B/Y |
| Installation method      |               |
| Base type                | MR16          |
| Environmental parameters |               |
| Working Temperature      | -30℃ - +60℃   |
| Storage Temperature      | -50℃ - +80℃   |
| Warranty                 | 24Months      |

## SIZE



## PACKING INFORMATION



|                        |               |
|------------------------|---------------|
| Electrostatic bag size | 50*50*60mm    |
| Outside packing carton | 225*265*115mm |
| Packing Qty            | 36PCS         |
| Net weight             | 1.6kg/1Box    |
| Gross weight           | 1.8kg         |

CE RoHS