

# LED Ceiling Light



## INTRODUCTION

### Features:

1. High efficiency and energy conservation, in the same bright, LED ceiling light is 1 kwh per 1000hrs, incandescent lamp is 1 kwh per 17 hrs, the halogen lamp is 1 kwh per 100hrs.
2. Beauty appearance, practical, great heat dissipation, high brightness, low brightness declines.
3. LED ceiling light doesn't contain mercury and other harmful substances, non-UV light without flicker, protection your eyes isn't easy to fatigue, no noise, ensure that the use of comfort and security.

### Applications :

Suitable for showcase windows, cafes, restaurants, gift shop artwork, museum and deparment stores for merchandise displaying. Also good for family living room and bedroom's lighting and decoration.



GN-TH-R1W18

## NAMING RULES

GN - TH - R 1W 18

- Company name:G-NOR(GN)
- Part No.
- Color
- High Power LED
- LED Qty.

## SPECIFICATIONS

### Light source parameters

LED type	SMD R20 1W LED
Angle(θ)	30°
LED Qty	18PCS
Life Span	>30,000 hours
<b>Electrical parameters</b>	
Luminous flux(lm)	1620lm
Voltage	100V-240VAC
Power	18W

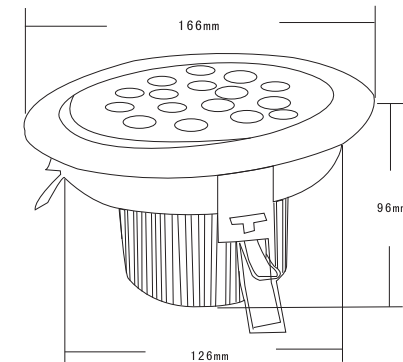
### Appearance parameters

Size	166*96 mm
Color	CW/WW/R/G/B/Y

### Environmental parameters

Working Temperature	-30 ℃ - +60 ℃
Storage Temperature	-50 ℃ - +80 ℃
Warranty	24Months

## SIZE



## PACKING INFORMATION



Electrostatic bag size	175*175*110mm
Outside packing carton	480*280*370mm
Packing Qty	10PCS
Net weight	11.0kg/1Box
Gross weight	11.1kg

CE RoHS