

LED Neon Digital Tube



Transparent

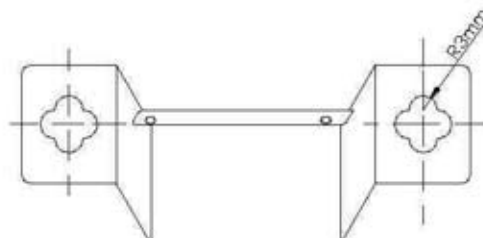
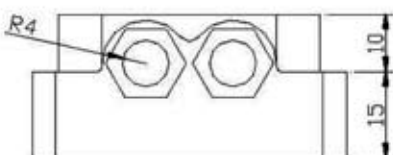
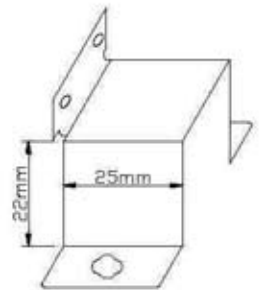
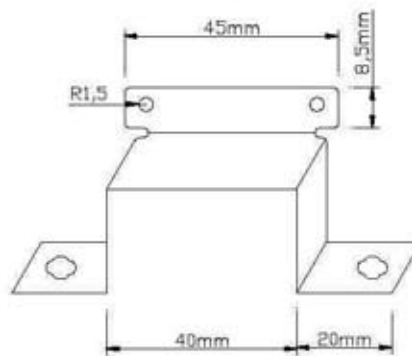
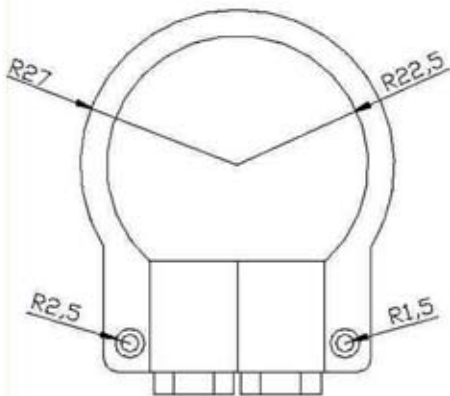
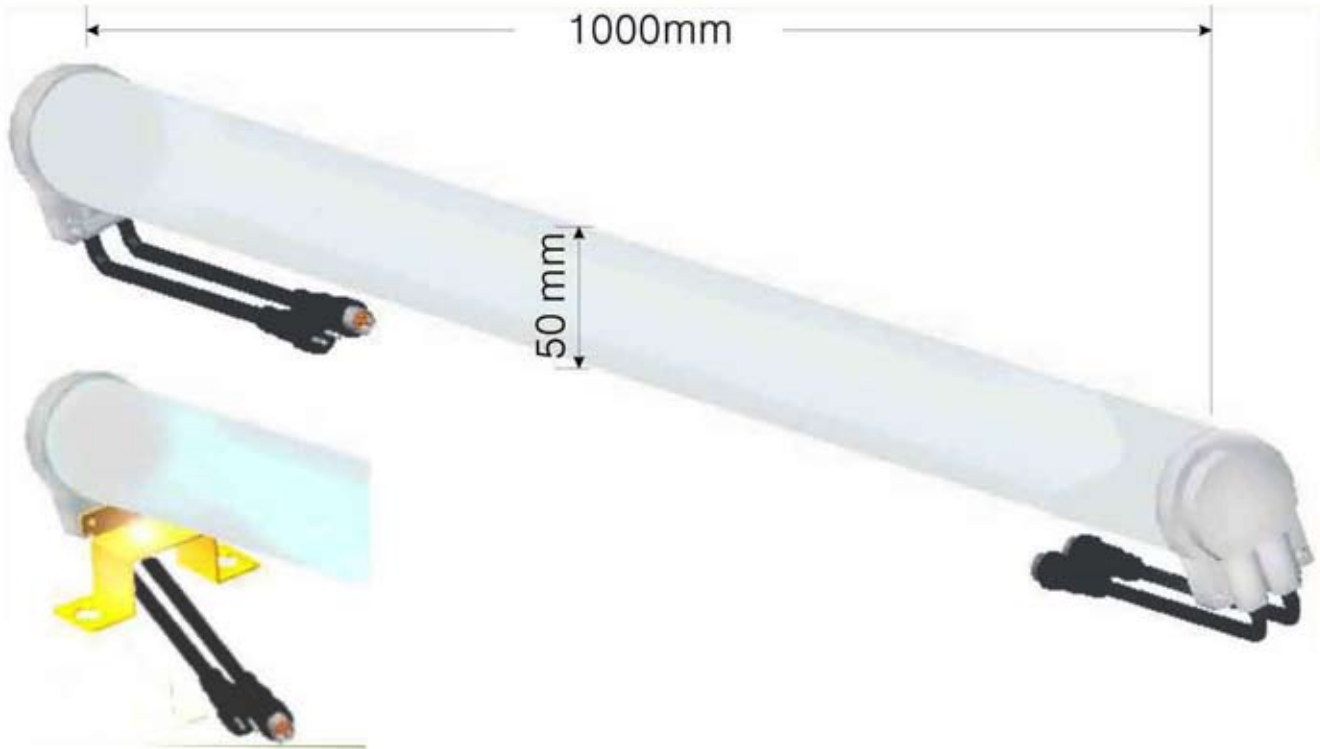


Milk-white

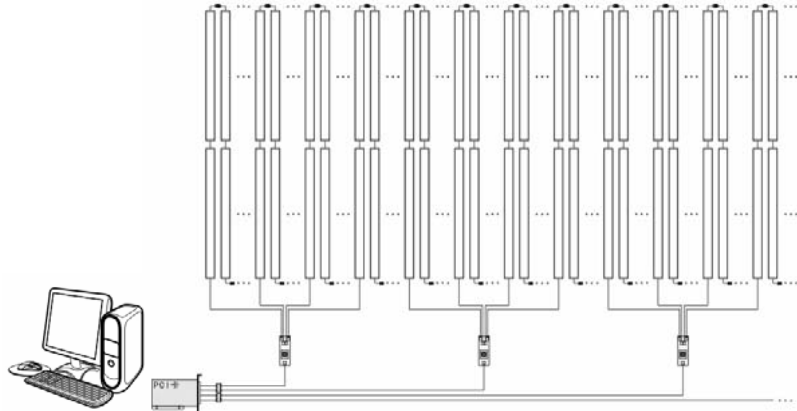
1、Parameter:

Part NO.	GN-12V3*3*16RGB	GN-12V3*6*8RGB	GN-12V3*6*6RGB
Resolution	16 Pixels	8 Pixels	6 Pixels
LED NO.	144PCS	144PCS	108PCS
Dimensions	"O"figure ϕ 50mm*1000mm		
Color	transparent or milk-white		
Material	High quality anti-aging, cold & high temperature resistance PC tube		
Interface type	input end of power supply : 2-core water-proof male connector, the length of cable: 300mm input end of signal : 4-core water-proof male connector, the length of cable : 300mm		
Voltage	12VDC		
Power consumption	$\leq 12W$	$\leq 12W$	$\leq 9W$
Working conditions	indoor or outdoor		
Ingress protection	IP65		
Control mode	control with PC、 control without PC (SD card、 CF card)		
Application range	LED neon digital tube is mainly used for drawing the outline of the construction. With different colors mixed together, the construction will be dramatic		

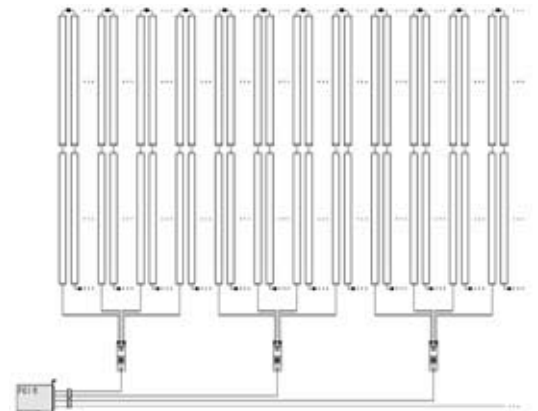
2、 Dimension



3、 Project sketch map



control with PC



control without PC

5、 Practical application

