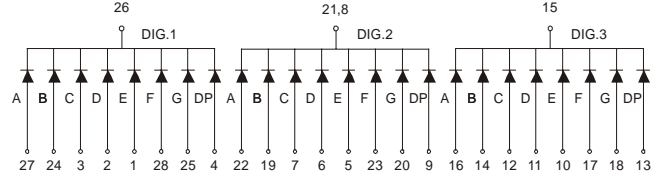
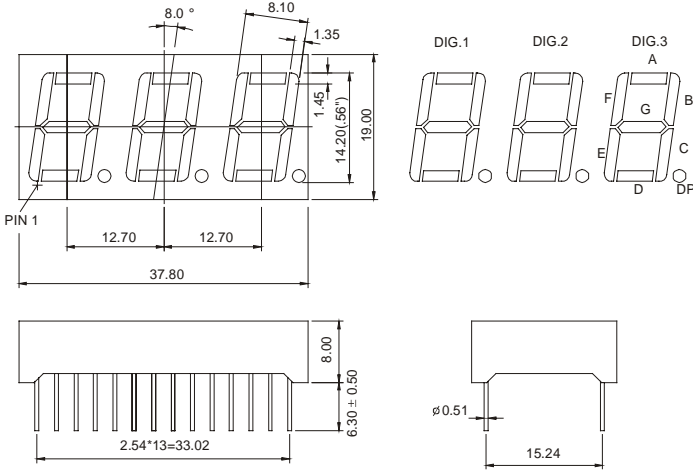


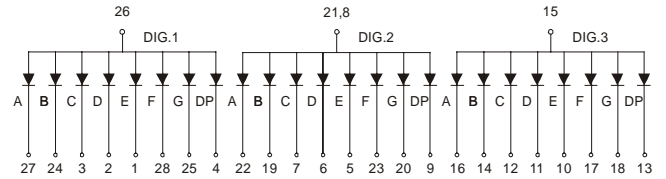
GNT-5631Cx-Dx (TRIPLE DIGIT LED DISPLAY)

GNT-5631 Series

GNT-5631Cx



GNT-5631Dx



Features:

*0.56 INCH HIGH CHARACTER.

*EXCELLENT CHARACTER APPEARANCE.

*COMMON CATHODE OR COMMON ANODE.

*I.C. COMPATIBLE.

*LOW POWER CONSUMPTION.

| Part Number | EMITTED COLOR | | Common Cathode or Common Anode | Peak Wavelength (nm) | Vf (v) Typ | If (mA) | Intensity Per Segment (mcd) | |
|-------------|---------------|--------------|--------------------------------|----------------------|------------|---------|-----------------------------|------|
| | | | | | | | Min. | Typ. |
| GNT-5631CE | GaAsP/GaP | Hi.effi Red | Common Cathode | 635 | 2.0 | 20 | 9 | 12 |
| GNT-5631CG | GaP | Green | | 565 | 2.1 | 20 | 8 | 11 |
| GNT-5631CY | GaAsP/GaP | Yellow | | 585 | 2.0 | 20 | 9 | 12 |
| GNT-5631CS | GaAlAs | Super Red | | 660 | 1.8 | 20 | 10 | 13 |
| GNT-5631CD | GaAlAs | Ultra Red | | 660 | 1.8 | 20 | 25 | 30 |
| GNT-5631CUE | AlGaInP | Ultra Red | | 625 | 2.0 | 20 | 30 | 35 |
| GNT-5631CUY | AlGaInP | Ultra Yellow | | 590 | 2.0 | 20 | 30 | 35 |
| GNT-5631DE | GaAsP/GaP | Hi.effi Red | Common Anode | 635 | 2.0 | 20 | 9 | 12 |
| GNT-5631DG | GaP | Green | | 565 | 2.1 | 20 | 8 | 11 |
| GNT-5631DY | GaAsP/GaP | Yellow | | 585 | 2.0 | 20 | 9 | 12 |
| GNT-5631DS | GaAlAs | Super Red | | 660 | 1.8 | 20 | 10 | 13 |
| GNT-5631DD | GaAlAs | Ultra Red | | 660 | 1.8 | 20 | 25 | 30 |
| GNT-5631DUE | AlGaInP | Ultra Red | | 625 | 2.0 | 20 | 30 | 35 |
| GNT-5631DUY | AlGaInP | Ultra Yellow | | 590 | 2.0 | 20 | 30 | 35 |