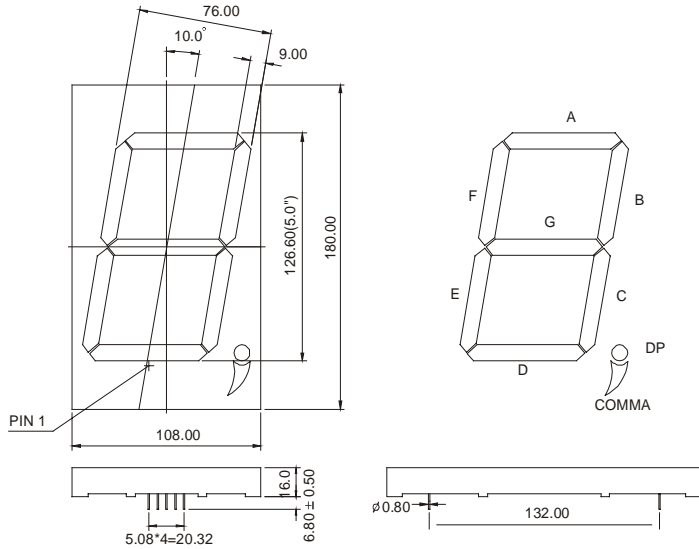
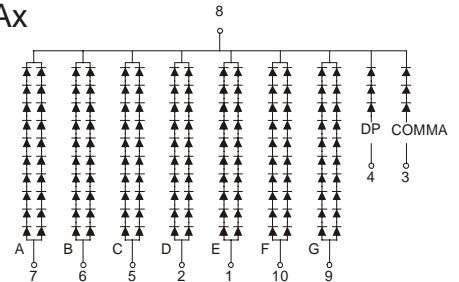


## GNS-50011Ax-Bx (SINGLE DIGIT LED DISPLAY)

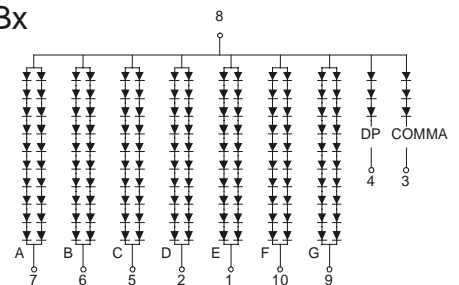
### GNS-50011 Series



### GNS-50011Ax



### GNS-50011Bx



### Features:

\*5.0 INCH HIGH CHARACTER.

\*EXCELLENT CHARACTER APPEARANCE.

\*COMMON CATHODE OR COMMON ANODE.

\*I.C. COMPATIBLE

\*LOW POWER CONSUMPTION.

Part Number	EMITTED COLOR		Common Cathode or Common Anode	Peak Wavelength (nm)	Vf (v) Typ	If (mA)	Intensity Per Segment (mcd)	
							Min.	Typ.
GNS-50011AE	GaAsP/GaP	Hi.effi Red	Common Cathode	635	2.0	20	90	120
GNS-50011AG	GaP	Green		565	2.1	20	80	110
GNS-50011AY	GaAsP/GaP	Yellow		585	2.0	20	90	120
GNS-50011AS	GaAlAs	Super Red		660	1.8	20	100	130
GNS-50011AD	GaAlAs	Ultras Red		660	1.8	20	250	300
GNS-50011AUE	AlGaN	Ultra Red		625	2.0	20	300	350
GNS-50011AUY	AlGaN	Ultra Yellow		590	2.0	20	300	350
GNS-50011BE	GaAsP/GaP	Hi.effi Red	Common Anode	635	2.0	20	90	120
GNS-50011BG	Gap	Green		565	2.1	20	80	110
GNS-50011BY	GaAsP/GaP	Yellow		585	2.0	20	90	120
GNS-50011BS	GaAlAs	Super Red		660	1.8	20	100	130
GNS-50011BD	GaAlAs	Ultras Red		660	1.8	20	250	300
GNS-50011BUE	AlGaN	Ultra Red		625	2.0	20	300	350
GNS-50011BUY	AlGaN	Ultra Yellow		590	2.0	20	300	350