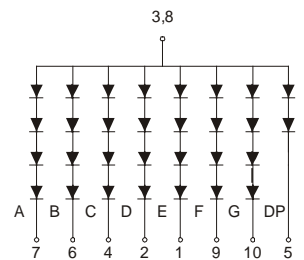
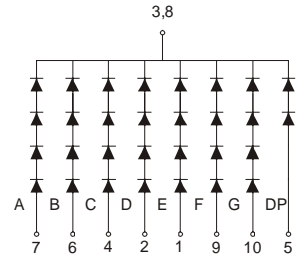
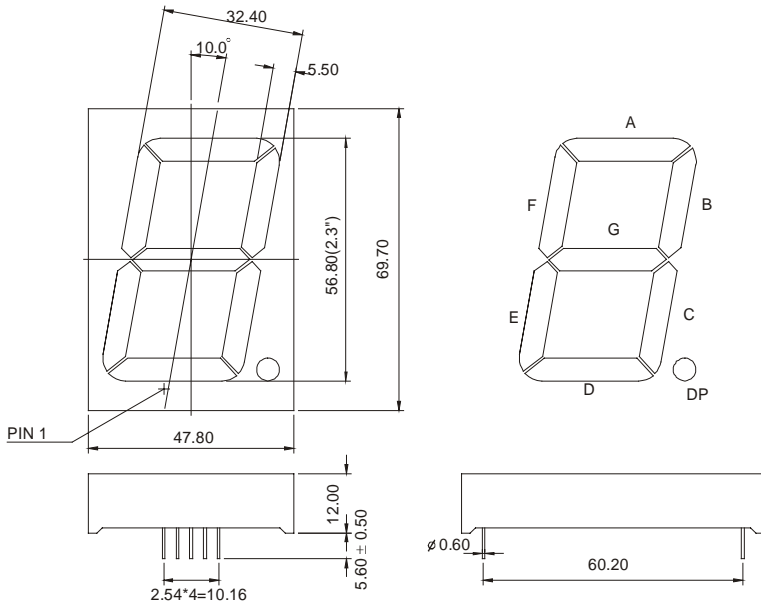


## GNS-23011Cx-Dx (SINGLE DIGIT LED DISPLAY)

### GNS-23011 Series

### GNS-23011Cx

### GNS-23011Dx



### Features:

\*2.3INCH HIGH CHARACTER.

\*I.C. COMPATIBLE.

\*EXCELLENT CHARACTER APPEARANCE.

\*LOW POWER CONSUMPTION.

\*COMMON CATHODE OR COMMON ANODE.

Part Number	EMITTED COLOR		Common Cathode or Common Anode	Peak Wavelength (nm)	Vf (v) Typ	If (mA)	Intensity Per Segment (mcd)	
							Min.	Typ.
GNS-23011CE	GaAsP/GaP	Hi.effi Red	Common Cathode	635	2.0	20	36	48
GNS-23011CG	GaP	Green		565	2.1	20	32	44
GNS-23011CY	GaAsP/GaP	Yellow		585	2.0	20	36	48
GNS-23011CS	GaAlAs	Super Red		660	1.8	20	40	52
GNS-23011CD	GaAlAs	Ultra Red		660	1.8	20	100	120
GNS-23011CUE	AlGaInP	Ultra Red		625	2.0	20	120	140
GNS-23011CUY	AlGaInP	Ultra Yellow		590	2.0	20	120	140
GNS-23011DE	GaAsP/GaP	Hi.effi Red	Common Anode	635	2.0	20	36	48
GNS-23011DG	GaP	Green		565	2.1	20	32	44
GNS-23011DY	GaAsP/GaP	Yellow		585	2.0	20	36	48
GNS-23011DS	GaAlAs	Super Red		660	1.8	20	40	52
GNS-23011DD	GaAlAs	Ultra Red		660	1.8	20	100	120
GNS-23011DUE	AlGaInP	Ultra Red		625	2.0	20	120	140
GNS-23011DUY	AlGaInP	Ultra Yellow		590	2.0	20	120	140