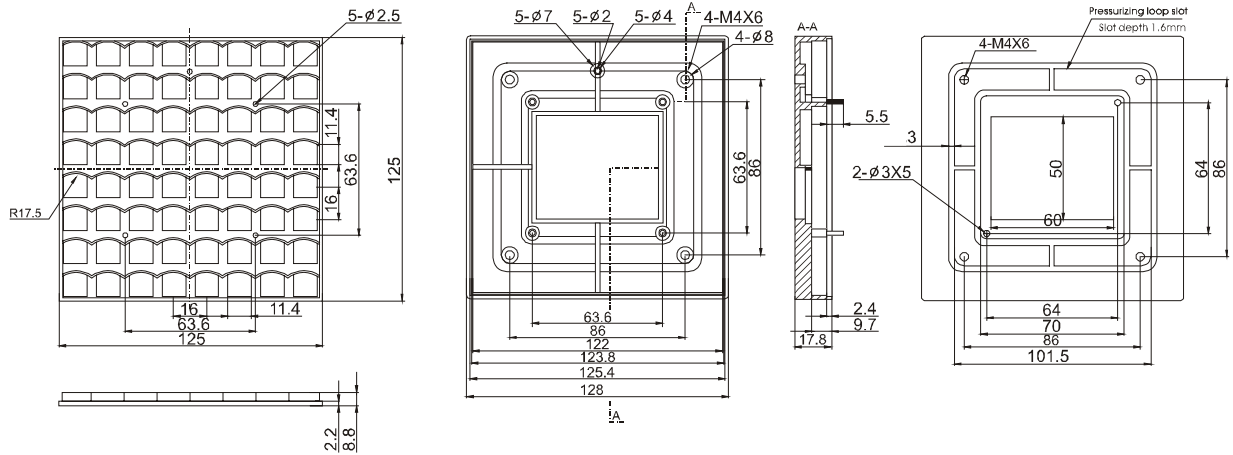


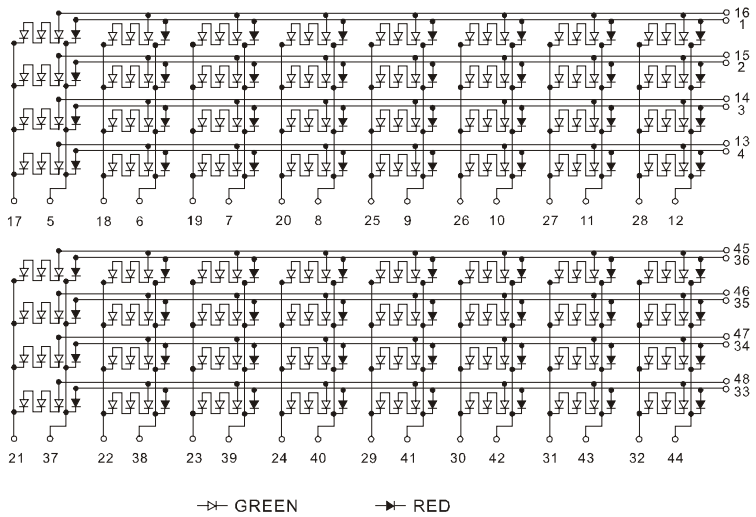
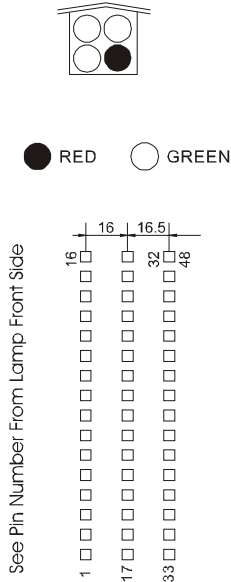
## PACKAGE DIMENSION

GNLM-S11.4X64A Series front and back



## INTERNAL CIRCUIT DIAGRAM

GNLM-S11.4x64AR1G3-A



See Pin Number From Lamp Front Side