

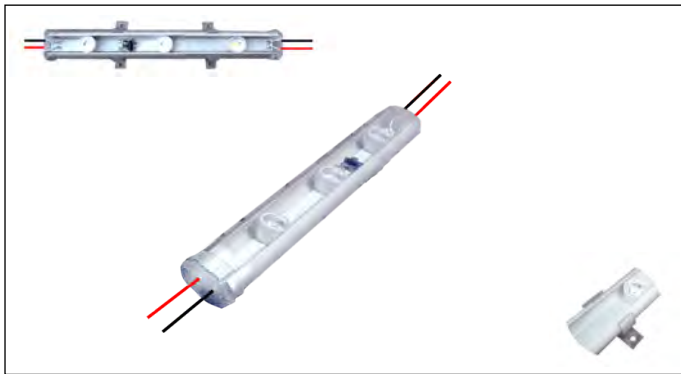


**LED Posterbox Module,
the energy efficient solution for perfect signs**

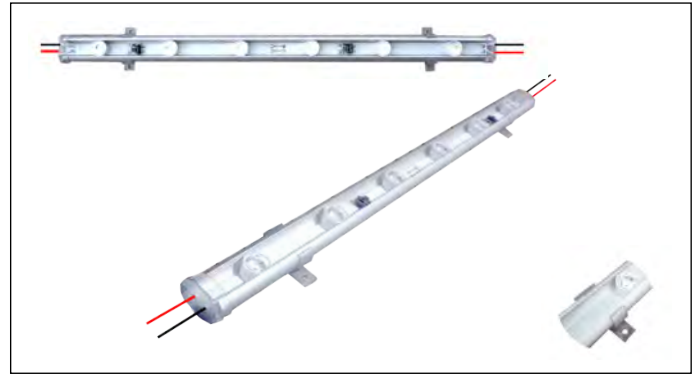
The G-NOR LED poster box module sets new standards for high-quality backlit display signs used in both indoor and outdoor applications. Installed within the perimeter of the sign, and directing light inwards, aluminum profiles wash light across the display. G-NOR technology makes optimal use of the light by recycling it in the box. The result is a uniform light without the hot-spotting usually associated with fluorescent tubes.

FEATURES:

- Crisp, bright, uniform light
- Energy-saving LED technology
- Quick and easy installation
- A suitable solution for single or double-faced displays



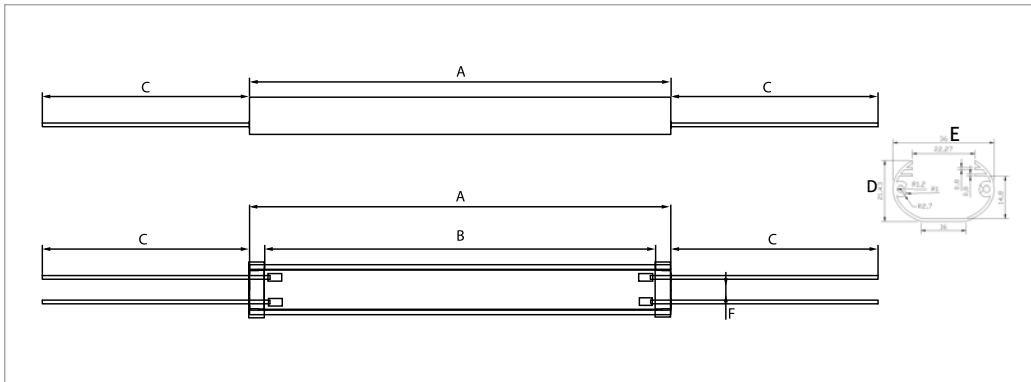
GNL-CLM-KE-3W



GNL-CLM-KE-6W

Dimensions

G-NOR LED posterbox module	A	B	C	D	E	F
KE SERIES						
GNL-CLM-KE-3W 6300K (12")	12"	10.8"	11.1"	1.4"	0.84"	0.18"
GNL-CLM-KE-6W 6300K (24")	24"	22.8"	23"	1.4"	0.84"	0.18"



Specification

G-NOR LED posterbox module	LED power driver	Color temperature Kelvin	Lumen output	No. of LEDs	Pitch between LEDs
KE SERIES					
GNL-CLM-KE-3W 6300K (12")	20W / 40W / 100W	6300 +/- 700	240	3	4 in.
GNL-CLM-KE-6W 6300K (24")	20W / 40W / 100W	6300 +/- 700	480	6	4 in.

Maximum number of modules to be connected to LED Power Driver

LED Power Driver	KE-3W 12"	KE-6W 24"
20W	6	3
40W	12	6
100W	30	15

