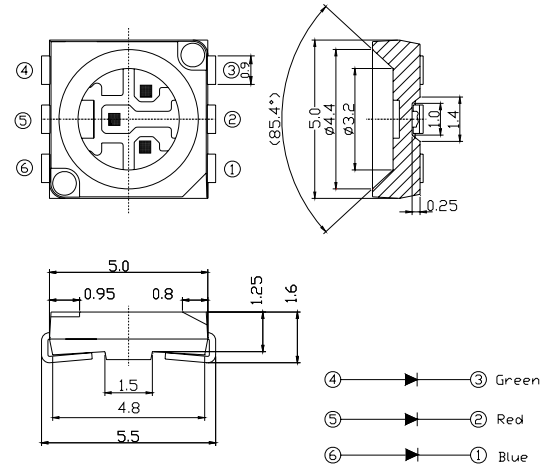


GNL-5050UEUGUBC (5050 SMD TYPE) Ultra Brightness

ABSOLUTE MAXIMUM RATING:(Ta=25°C)

Parameter			Unit
DC Forward Current	25		mA
Reverse Voltage	5		V
Reverse Current (Vr=5V)	5		μA
Peak Forward Current ,tw ,=1 msec Duty ,=1/20	100		mA
Operation Temperature	-40	+85	°C
Storage Temperature	-40	+100	°C
Solder Dip Temperature (5 seconds,1.6mm from body)	300	±5	°C

Package Dimensions:



Unit: mm Toleranc: ±0.2mm unless otherwise noted

Electrodes: Ag Plating Copper Alloy

Encapsulating Resin: Silicon Resin

Package: Heat-Resistant Polymer

◆ Features:

Compatible with automatic placement equipment

This product doesn't contain restriction Substance, comply ROHS standard.

◆ Applications:

Indoor and outdoor displays

Camera Flash or Backlighting

RGB full color displays

Part Number	EMITTED COLOR		Lens Color	Peak Wavelength (nm)	Vf (v) Typ.	IV (If=20mA) mcd		View Angle 2 θ 1/2
						Min.	Typ.	
GNL-5050UEUGUBC	AlGaInP	Red	Water Clear	625	2.0	500	750	120°
	InGaN	Green		525	3.2	1800	2600	
	InGaN	Blue		470	3.2	320	500	