

SPECIFICATIONS FOR FLUX LED

MODEL: [GNL-1840RGBC](#)



NINGBO G-NOR ELECTRONICS CO.,LTD.

Part No.	GNL-1840RGBC				
Emitted Color	Red	Green	Blue	Len's Color	Water Clear
Chip Material	AlGaInP	InGaN			

Features:

Compatible with automatic placement equipment

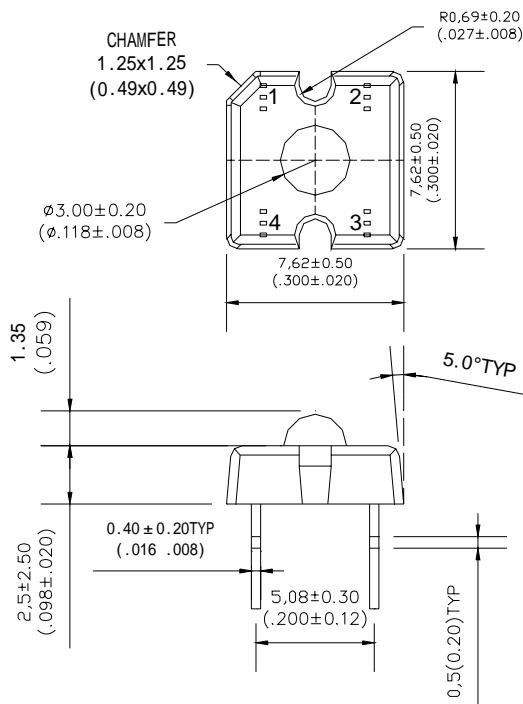
Compatible with reflow solder process

This product doesn't contain restriction Substance, comply ROHS standard.

Applications:

Automotive and Telecommunication

General use for indicators

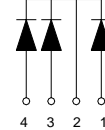


NOTE

- 1.BLUE
- 2.COMMON
- 3.GREEN
- 4.RED

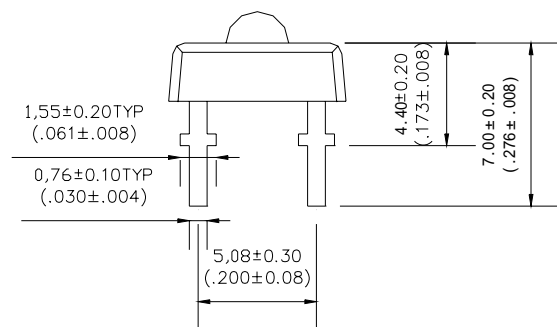
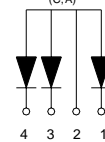
GNL - 1840RGBC- C

COMMON CATHODE
(C,C)



GNL - 1840RGBC- A

COMMON ANODE
(C,A)



Unit mm

Toleranc 0.2mm unless otherwise noted

Absolute Maximum Rating(Ta=25°C)

Items	Symbol	Absolute maximum Rating	Unit
Forward Current	I _F	20	mA
Peak Forward Current*	I _{FP}	40	mA
Reverse Voltage	V _R	7	V
Power Dissipation	P _D	100	mW
Operation Temperature	T _{opr}	-20 ~ +80	°C
Storage Temperature	T _{stg}	-40 ~ +100	°C
Lead Soldering Temperature	T _{sol}	Max.260°C for 3 sec Max. (3mm from the base of the epoxy bulb)	

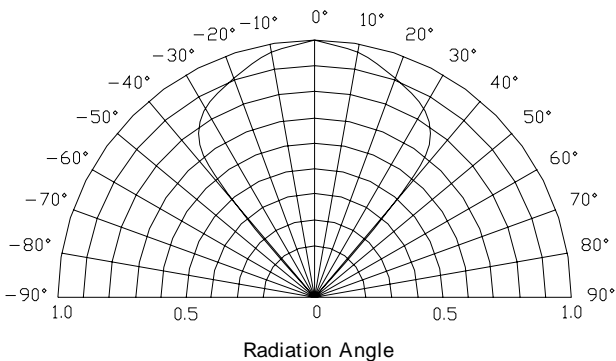
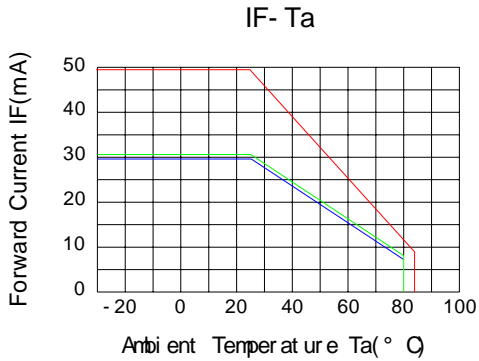
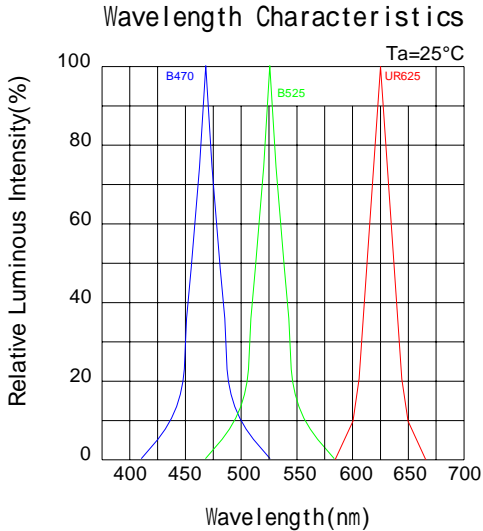
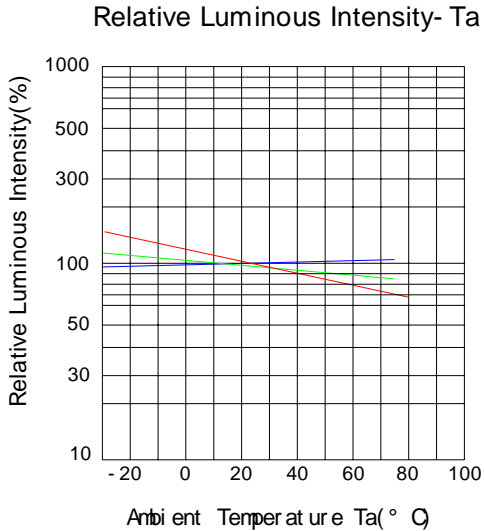
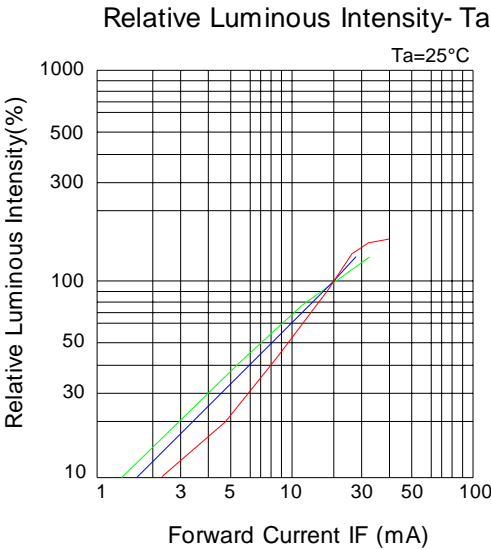
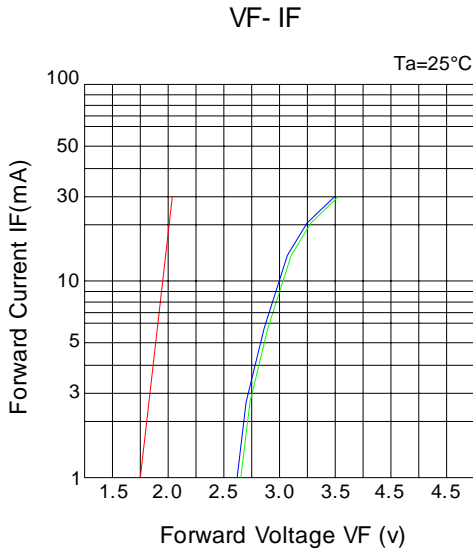
Electrical Optical Characteristics(Ta=25°C)

Parameter	Symbol	Min.	Typ.	Unit	Test Condition
Luminous Intensity	IV(B/G/R)	0.2/1.0/0.3	0.25/1.1/0.35	lm	I _F =20mA
Forward Voltage	VF(B/G/R)	3.0/3.0/1.8	3.3/3.3/2.0	V	I _F =20mA
Reverse Current	IR	--	10	uA	V _R =5V
Dominant Wavelength	d(B/G/R)	46520/620	470525/625	nm	I _F =20mA
Viewing Angle	2 1/2	--	80	Deg.	I _F =20mA

Parameter Classification

Forward Voltage IF=20mA		Chromaticity Coordinates IF=20mA		Luminous Intensity IF=20mA	
Code	Min~Max	Code	Min~Max	Code	Min~Max
--	--	--	--	--	--
--	--	--	--	--	--

Typical Electro-Optical Characteristics
Curves



Reliability Test Items and Conditions

NO	Test Item	Test Conditions	Duration	Sample	Ac/Re
1	Temperature Cycle	-40°C~25°C~100°C~25°C 30min 5min 30min 5min	50cycles	100	0/1
2	High Temp. Storage	Ta=100°C	1000hours	100	0/1
3	Temp.& Humidity Test	Ta=85 °C ,RH=85%	1000hours	100	0/1
4	Low Temp. Storage	Ta= -40°C	1000hours	100	0/1
5	Operating Life Test	Ta=25±5 °C DC IF=15mA	1000hours	100	0/1
6	Solder Heat	Tsol=260±5°C,10s	1times	20	0/1

Cautions**1 Storage**

Before opening the package: The LEDs should be kept at 5~30°C and 60%RH or less. The LEDs should be used within a year.

After opening the package: The LED must be used within 24 hours, else should be kept at 5~30°C and 30% RH or less. The LEDs should be used within 7days after opening the package. If unused LEDs remain, they should be stored in moisture proof packages, recommended to return the LEDs to the original moisture proof bag and to reseal the moisture proof bag again.

If the LEDs have exceeded the storage time, baking treatment should be performed more than 12 hours at 60 ± 5°C.

2 The LED electrode sections are comprised of a gold plated. The gold surface may be affected by environments which contain corrosive gases and so on. Please avoid conditions which may cause the LED to corrode or discolor. This corrosion or discoloration may cause difficulty during soldering operations. It is recommended that the User use the LEDs as soon as possible.

3 Please avoid rapid transitions in ambient temperature, especially in high humidity environments where condensation can occur.

4 Static Electricity

4.1 These products are sensitive to static electricity charge, and users are required to handle with care. Particularly, if an current and or voltage which exceeds the Absolute Maximum Rating of Products is applied, the overflow in energy may cause damage to, or possibly result in electrical destruction of, the Products. The customer is requested to take adequate countermeasures against static electricity charge and surge when handling Products.

4.2 Proper grounding of Products , use of conductive mat, conductive working uniform and shoes, and conductive containers are effective against static electricity and surge.

4.3 Ground low-resistance areas where the product contacts, such as metal surfaces of the work platform, with a conductive mat (surface resistance 10^6 - 10^8).

4.4 A tip of soldering iron is requested to be grounded. An ionizer should also be installed where risk of static generation is high.

■ **Notes:**

1 Above specification may be changed without notice. We will reserve authority on material change for above specification.

2 When using this product, please observe the absolute maximum ratings and the instructions for the specification sheets. We assume no responsibility for any damage resulting from use of the product which does not comply with the instructions included in the specification sheets.