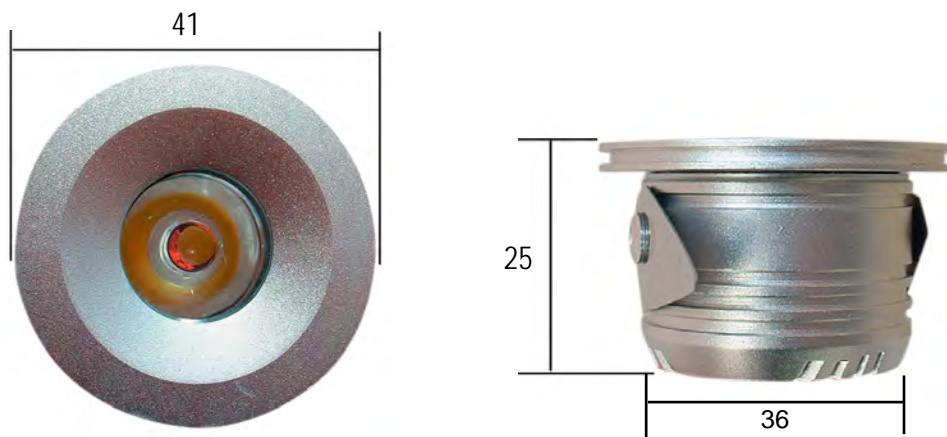


High Power LED Ceiling Spot Light Series

■ Product Surface Chart



■ Product Framework Dimension Chart



Unit : MM

■ Specification:

- Product type : 1*1W High-Power LED Ceiling Light
- INPUT VOLTAGE:86-265VAC
- OUTPUT POWER: 1W
- LIGHT SOURCE: 1W high power LED
- LED INPUT CURRENT: 300mA
- BODY TEMPERATURE: <50°C
- FULL RANGE OF COLORS: Cold white, Warm white, Blue, Green ,Red, Yellow

- Unique appearance abstract heat design—out shell adopts high quality alumina, features good heat release,
- Accord with CE.ROHS request.
- Save energy, Environmental protection, Prurient service life has reached for above (6-8)ten thousand hours.

■ Product useful

- Villa, Guesthouse, Hotel, Meeting room, Exhibition hall, shop, Telephone hall, Hillock hall, can instead of tradition lighting.

■ Remark

- Only useful indoor, protects grade for IP54
- When the lamps working time, please don't touch of the out shell.

■ Datasheet

Part NO.	Emitting Color	Wavelength	Luminous flux	Power(W)	Viewing Angle
GN-TH-R1W1-03	■ Red	625nm	27*3Lm	3	30°
GN-TH-Y1W1-03	■ Yellow	590nm	55*3Lm	3	30°
GN-TH-B1W1-03	■ Blue	470 nm	16*3Lm	3	30°
GN-TH-G1W1-03	■ Green	520 nm	53*3Lm	3	30°
GN-TH-CW 1W1-03	■ Cold White	6500-7000 K	90*3Lm	3	30°
GN-TH-WW1W1-03	■ Warm White	2300-3000K	90*3Lm	3	30°

■ Note

- All products are using external power supply

