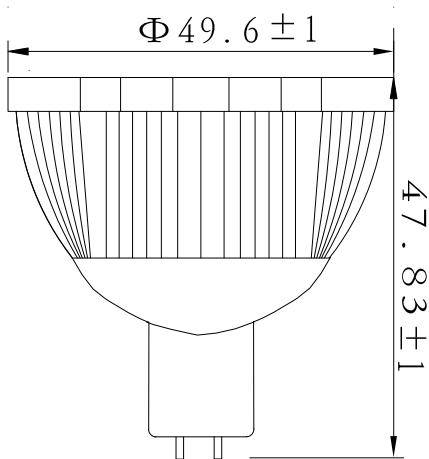


## MR16 High Power Spotlight Series

### ■ Product Surface Chart



### ■ Product Framework Dimension Chart



Unit : MM

### ■ Specification:

- Product type : 3\*1W High-Power MR16 LED Blud
- BASE TYPE: MR16
- INPUT VOLTAGE: 12VAC/DC with reversed polarity protect
- OUTPUT POWER: 3W
- LIGHT SOURCE: 1W high power LED
- LED INPUT CURRENT: 300mA
- BODY TEMPERATURE:  $<50^{\circ}\text{C}$
- FULL RANGE OF COLORS: Cold white, Warm white, Blue, Green, Red, Yellow
- Unique appearance abstract heat design—out shell adopts high quality alumina, features



good heat release,

- Inner structure adopts silica gel plus conduct heat colophony irrigation, and heat conductivity, complete settle high power LED abstract heat difficult problem.
- Accord with CE.ROHS request.
- Save energy, Environmental protection, Prurient service life has reached for above (6-8)ten thousand hours.

#### ■ Product useful

- Villa, Guesthouse, Hotel, Meeting room, Exhibition hall, shop, Telephone hall, Hillock hall, can instead of tradition lighting.

#### ■ Remark

- Only useful indoor, protects grade for IP54
- When the lamps working time, please don't touch of the out shell.

#### ■ Datasheet

| Part NO.          | Emitting Color | Wavelength  | Luminous flux | Power(W) | Viewing Angle |
|-------------------|----------------|-------------|---------------|----------|---------------|
| GN-HP-R1W3-MR16   | ■ Red          | 625nm       | 27*3Lm        | 3        | 15°           |
| GN-HP-Y1W3-MR16   | ■ Yellow       | 590nm       | 55*3Lm        | 3        | 15°           |
| GN-HP-B1W3-MR16   | ■ Blue         | 470 nm      | 16*3Lm        | 3        | 15°           |
| GN-HP-G1W3-MR16   | ■ Green        | 520 nm      | 53*3Lm        | 3        | 15°           |
| GN-HP-CW 1W3-MR16 | ■ Cold White   | 6500-7000 K | 90*3Lm        | 3        | 15°           |
| GN-HP-WW1W3-MR16  | ■ Warm White   | 2300-3000K  | 90*3Lm        | 3        | 15°           |