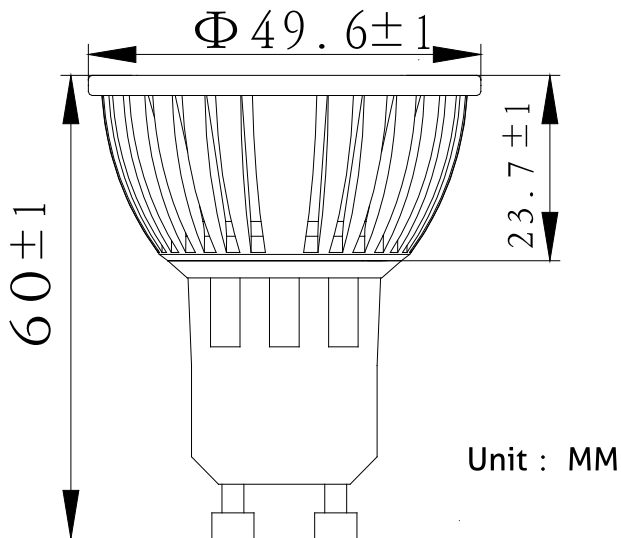


GU10 High Power Spotlight Series

■ Product Surface Chart



■ Product Framework Dimension Chart



■ Specification:

- Product type : 3*1W High-Power GU10 LED Blud
- BASE TYPE: GU10
- INPUT VOLTAGE:85-265VAC
- OUTPUT POWER: 3W
- LIGHT SOURCE: 1W high power LED
- LED INPUT CURRENT: 300mA
- BODY TEMPERATURE: <math><50^{\circ}\text{C}</math>
- FULL RANGE OF COLORS: Cold white, Warm white, Blue, Green ,Red, Yellow
- Unique appearance abstract heat design—out shell adopts high quality alumina, features



good heat release,

- Inner structure adopts silica gel plus conduct heat colophony irrigation, and heat conductivity, complete settle high power LED abstract heat difficult problem.
- Accord with CE.ROHS request.
- Save energy, Environmental protection, Prurient service life has reached for above (6-8)ten thousand hours.

■ Product useful

- Villa, Guesthouse, Hotel, Meeting room, Exhibition hall, shop, Telephone hall, Hillock hall, can instead of tradition lighting.

■ Remark

- Only useful indoor, protects grade for IP54
- When the lamps working time, please don't touch of the out shell.

■ Datasheet

Part NO.	Emitting Color	Wavelength	Luminous flux	Power(W)	Viewing Angle
GN-HP-R1W3-GU10	■ Red	625nm	27*3Lm	3	15°
GN-HP-Y1W3-GU10	■ Yellow	590nm	55*3Lm	3	15°
GN-HP-B1W3-GU10	■ Blue	470 nm	16*3Lm	3	15°
GN-HP-G1W3-GU10	■ Green	520 nm	53*3Lm	3	15°
GN-HP-CW 1W3-GU10	■ Cold White	6500-7000 K	90*3Lm	3	15°
GN-HP-WW1W3-GU10	■ Warm White	2300-3000K	90*3Lm	3	15°