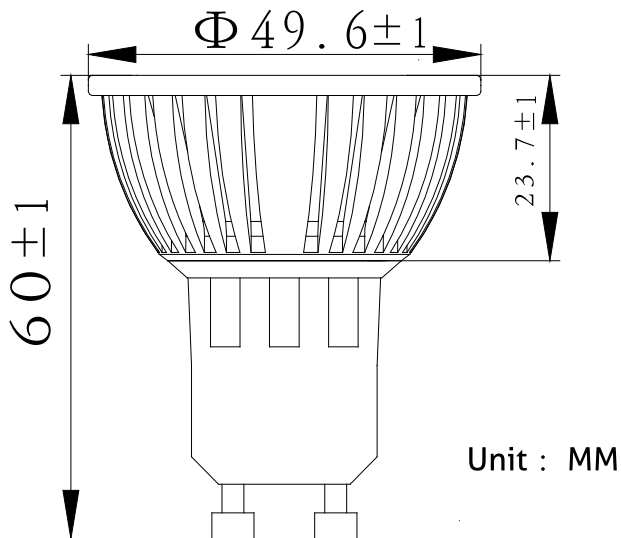


## GU10 High Power Spotlight Series

### ■ Product Surface Chart



### ■ Product Framework Dimension Chart



### ■ Specification:

- Product type : 1\*1W High-Power GU10 LED Blud
- BASE TYPE: GU10
- INPUT VOLTAGE:85-265VAC
- OUTPUT POWER: 1W
- LIGHT SOURCE: 1W high power LED
- LED INPUT CURRENT: 300mA
- BODY TEMPERATURE: <math><50^{\circ}\text{C}</math>
- FULL RANGE OF COLORS: Cold white, Warm white, Blue, Green ,Red, Yellow
- Unique appearance abstract heat design—out shell adopts high quality alumina, features



good heat release,

- Inner structure adopts silica gel plus conduct heat colophony irrigation, and heat conductivity, complete settle high power LED abstract heat difficult problem.
- Accord with CE.ROHS request.
- Save energy, Environmental protection, Prurient service life has reached for above (6-8)ten thousand hours.

#### ■ Product useful

- Villa, Guesthouse, Hotel, Meeting room, Exhibition hall, shop, Telephone hall, Hillock hall, can instead of tradition lighting.

#### ■ Remark

- Only useful indoor, protects grade for IP54
- When the lamps working time, please don't touch of the out shell.

#### ■ Datasheet

Part NO.	Emitting Color	Wavelength	Luminous flux	Power(W)	Viewing Angle
GN-HP-R1W1-GU10	■Red	625nm	27*1Lm	1	15°
GN-HP-Y1W1-GU10	■Yellow	590nm	55*1Lm	1	15°
GN-HP-B1W1-GU10	■Blue	470 nm	16*1Lm	1	15°
GN-HP-G1W1-GU10	■Green	520 nm	53*1Lm	1	15°
GN-HP-CW 1W1-GU10	■Cold White	6500-7000 K	90*1Lm	1	15°
GN-HP-WW1W1-GU10	■Warm White	2300-3000K	90*1Lm	1	15°