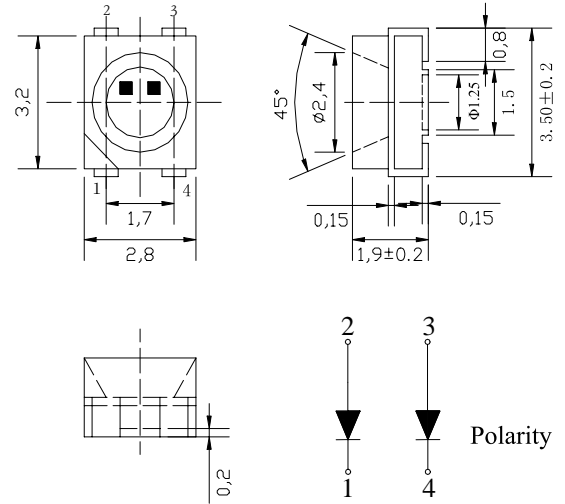


GNL-1210UEUGC (3.2X2.8mm TOP TYPE) Ultra Brightness LED

ABSOLUTE MAXIMUM RATING:(Ta=25°C)

| Parameter | UE | UG | Unit |
|--|---------|-----|------|
| DC Forward Current | 25 | 25 | mA |
| Reverse Voltage | 5 | 5 | V |
| Reverse Current (Vr=5V) | 10 | 10 | μA |
| Peak Forward Current ,tw ,=1 msec Duty ,=1/20 | 80 | 60 | mA |
| Operation Temperature | -30—85 | | °C |
| Storage Temperature | -40—100 | | °C |
| Solder Dip (5 seconds,1.6mm from body) Temperature | 260 | 260 | °C |



Features:

1. Compatible with automatic placement equipment
2. Compatible with reflow solder process
3. Packing:2000pcs/reel

Applications:

1. Automotive and Telecommunication
2. General use for indicators

| Part Number | EMITTED COLOR | | Lens Color | Peak Wavelength (nm) | Vf (v) Typ | IV (If=20mA) mcd | | View Angle 2 θ 1/2 |
|-------------|---------------|------------------|-------------|----------------------|------------|------------------|------|--------------------|
| | | | | | | Min. | Typ. | |
| 1210EGC | GaP | Super Orange Red | Water Clear | 625 | 2.1 | 12 | 15 | 120° |
| | GaP | Yellow Green | | 565 | 2.0 | 9 | 12 | |
| 1210UEUGC | AlGaInP | Super Orange Red | Water Clear | 625 | 2.1 | 100 | 150 | 120° |
| | AlGaInP | Yellow Green | | 572 | 2.2 | 60 | 100 | |