

LED Ceiling Light



INTRODUCTION

Features:

1. High efficiency and energy conservation, in the same bright, LED ceiling light is 1 kwh per 1000hrs, incandescent lamp is 1 kwh per 17 hrs, the halogen lamp is 1 kwh per 100hrs.
2. Beauty appearance, practical, great heat dissipation, high brightness, low brightness declines.
3. LED ceiling light doesn't contain mercury and other harmful substances, non-UV light without flicker, protection your eyes isn't easy to fatigue, no noise, ensure that the use of comfort and security.

Applications :

Suitable for showcase windows, cafes, restaurants, gift shop artwork, museum and deparment stores for merchandise displaying. Also good for family living room and bedroom's lighting and decoration.



GN-TH-R1W15

NAMING RULES

GN - TH - R 1W 15

- Company name:G-NOR(GN)
- Part No.
- Color
- High Power LED
- LED Qty.

SPECIFICATIONS

Light source parameters

LED type	SMD R20 1W LED
Angle(θ)	30°
LED Qty	15PCS
Life Span	>30,000 hours
Electrical parameters	
Luminous flux(lm)	1350lm
Voltage	100V-240VAC
Power	15W

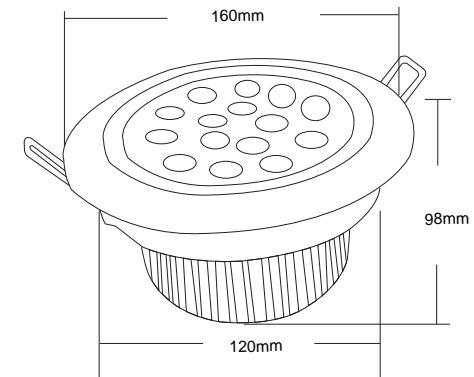
Appearance parameters

Size	170*98 mm
Color	CW/WW/R/G/B/Y

Environmental parameters

Working Temperature	-30 ℃ - +60 ℃
Storage Temperature	-50 ℃ - +80 ℃
Warranty	24Months

SIZE



PACKING INFORMATION



Electrostatic bag size	170*170*135mm
Outside packing carton	360*700*360mm
Packing Qty	20PCS
Net weight	17.2kg/1Box
Gross weight	18.2kg

CE RoHS