

# LED Ceiling Light



## INTRODUCTION

### Features:

1. High efficiency and energy conservation, in the same bright, LED ceiling light is 1 kwh per 1000hrs, incandescent lamp is 1 kwh per 17 hrs, the halogen lamp is 1 kwh per 100hrs.
2. Beauty appearance, practical, great heat dissipation, high brightness, low brightness declines.
3. LED ceiling light doesn't contain mercury and other harmful substances, non-UV light without flicker, protection your eyes isn't easy to fatigue, no noise, ensure that the use of comfort and security.

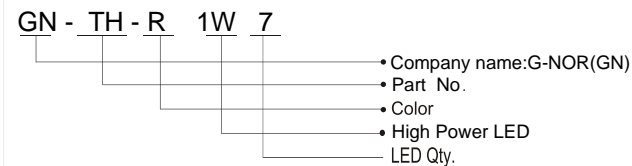
### Applications :

Suitable for showcase windows, cafes, restaurants, gift shop artwork, museum and deparment stores for merchandise displaying. Also good for family living room and bedroom's lighting and decoration.



GN-TH-R1W7

## NAMING RULES

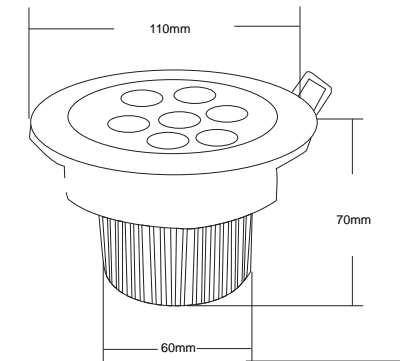


## SPECIFICATIONS

Light source parameters	
LED type	SMD R20 1W LED
Angle(θ)	30°
LED Qty	7PCS
Life Span	>30,000 hours
Electrical parameters	
Luminous flux(lm)	630lm
Voltage	100V-240VAC
Power	7W

Appearance parameters	
Size	95*70mm
Color	CW/WW/R/G/B/Y
Environmental parameters	
Working Temperature	-30 ℃ - +60 ℃
Storage Temperature	-50 ℃ - +80 ℃
Warranty	24Months

## SIZE



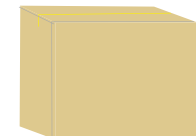
## PACKING INFORMATION



1 pcs



50 pcs



Electrostatic bag size	115*115*90mm
Outside packing carton	600*245*475mm
Packing Qty	50PCS
Net weight	12kg/1Box
Gross weight	12.8kg

CE RoHS