

LED Ceiling Light



GN-TH-R1W3-02

INTRODUCTION

Features:

1. High efficiency and energy conservation, in the same bright, LED ceiling light is 1 kwh per 1000hrs, incandescent lamp is 1 kwh per 17 hrs, the halogen lamp is 1 kwh per 100hrs.
2. Beauty appearance, practical, great heat dissipation, high brightness, low brightness declines.
3. LED ceiling light doesn't contain mercury and other harmful substances, non-UV light without flicker, protection your eyes isn't easy to fatigue, no noise, ensure that the use of comfort and security.

Applications :

Suitable for showcase windows, cafes, restaurants, gift shop artwork, museum and deparment stores for merchandise displaying. Also good for family living room and bedroom's lighting and decoration.

NAMING RULES

GN - TH - R 1W 3 - 02

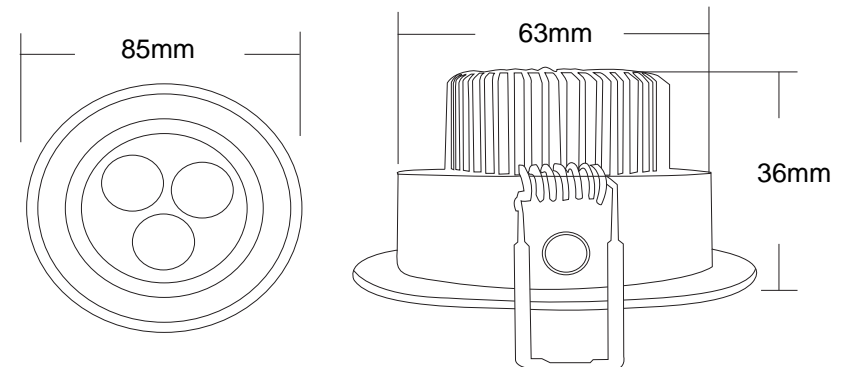
- Company name:G-NOR(GN)
- Part No.
- Color
- High Power LED
- LED Qty.

SPECIFICATIONS

Light source parameters	
LED type	SMD R20 1W LED
Angle(θ)	30°
LED Qty	3PCS
Life Span	>30,000 hours
Electrical parameters	
Luminous flux(lm)	270lm
Voltage	100V-240VAC
Power	3W

Appearance parameters	
Size	85*35mm
Color	CW/WW/R/G/B/Y
Environmental parameters	
Working Temperature	-30 ℃ - +60 ℃
Storage Temperature	-50 ℃ - +80 ℃
Warranty	24Months

SIZE



PACKING INFORMATION



Electrostatic bag size	95*95*55mm
Outside packing carton	680*340*190mm
Packing Qty	48PCS
Net weight	6kg/1Box
Gross weight	6.2kg

CE RoHS