

# LED Spotlight Bulb



## INTRODUCTION

### Features:

1. High efficiency and energy conservation, in the same bright, LED spotlight bulb is 1 kwh per 1000hrs, incandescent lamp is 1 kwh per 17 hrs, the halogen lamp is 1 kwh per 100hrs.
2. Beauty appearance, practical, great heat dissipation, high brightness, low brightness declines.
3. LED spotlight bulb doesn't contain mercury and other harmful substances, non-UV light without flicker, protection your eyes isn't easy to fatigue, no noise, ensure that the use of comfort and security.

### Applications :

Suitable for showcase windows, cafes, restaurants, gift shop artwork, museum and deparment stores for merchandise displaying. Also good for family living room and bedroom's lighting and decoration.



GN-HP-WW2W3-GU10

## NAMING RULES

GN - HP - WW 2W3 - GU10

- Company name:G-NOR(GN)
- Product category:High Power LED
- Color
- LED Qty.
- Base

## SPECIFICATIONS

### Light source parameters

LED type	SMD R20 2W LED
Angle(θ)	30°
LED Qty	3PCS
Life Span	>30,000 hours

### Electrical parameters

Luminous flux(lm)	540lm
Voltage	85V-265VAC
Power	6W

### Appearance parameters

Size	50*90mm
Color	CW/WW/R/G/B/Y

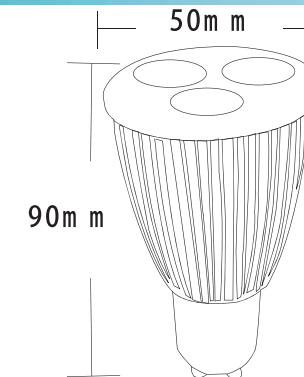
### Installation method

Base type	GU10
-----------	------

### Environmental parameters

Working Temperature	-30℃ - +60℃
Storage Temperature	-50℃ - +80℃
Warranty	24Months

## SIZE



## PACKING INFORMATION



Electrostatic bag size	51*51*87mm
Outside packing carton	225*265*115mm
Packing Qty	24PCS
Net weight	2.2kg/1Box
Gross weight	2.4kg

CE RoHS