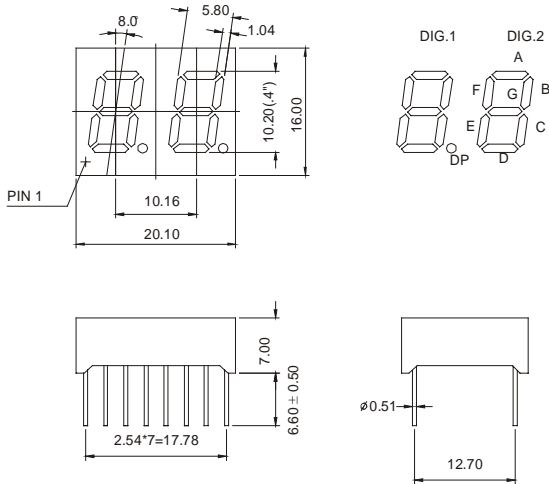
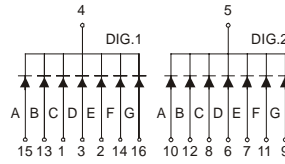


GND-4021Cx-Dx-Ex-Fx (DUAL DIGIT LED DISPLAY)

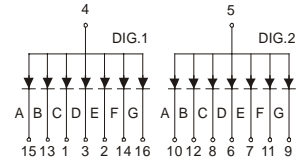
GND-4021 Series



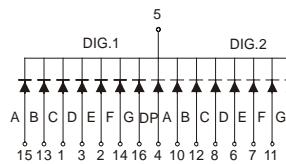
GND-4021Cx



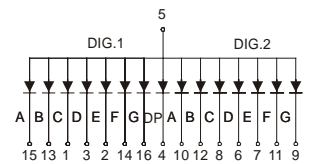
GND-4021Dx



GND-4021Ex



GND-4021Fx



Features:

*0.40 INCH HIGH CHARACTER.

*EXCELLENT CHARACTER APPEARANCE.

*COMMON CATHODE OR COMMON ANODE.

*I.C. COMPATIBLE.

*LOW POWER CONSUMPTION.

Part Number	EMITTED COLOR		Common Cathode or Common Anode	Peak Wavelength (nm)	Vf (v) Typ	If (mA)	Intensity Per Segment (mcd)	
							Min.	Typ.
GND-4021CE	GaAsP/GaP	Hi.effi Red	Common Cathode	635	2.0	20	9	12
GND-4021CG	GaP	Green		565	2.1	20	8	11
GND-4021CY	GaAsP/GaP	Yellow		585	2.0	20	9	12
GND-4021CS	GaAlAs	Super Red		660	1.8	20	10	13
GND-4021CD	GaAlAs	Ultra Red		660	1.8	20	25	30
GND-4021CUE	AlGaInP	Ultra Red		625	2.0	20	30	35
GND-4021CUY	AlGaInP	Ultra Yellow		590	2.0	20	30	35
GND-4021DE	GaAsP/GaP	Hi.effi Red	Common Anode	635	2.0	20	9	12
GND-4021DG	Gap	Green		565	2.1	20	8	11
GND-4021DY	GaAsP/GaP	Yellow		585	2.0	20	9	12
GND-4021DS	GaAlAs	Super Red		660	1.8	20	10	13
GND-4021DD	GaAlAs	Super Red		660	1.8	20	25	30
GND-4021DUE	AlGaInP	Ultra Red		625	2.0	20	30	35
GND-4021DUY	AlGaInP	Ultra Yellow		590	2.0	20	30	35

GND-4021EE	GaAsP/GaP	Hi.effi Red	Common Cathode	635	2.0	20	9	12
GND-4021EG	GaP	Green		565	2.1	20	8	11
GND-4021EY	GaAsP/GaP	Yellow		585	2.0	20	9	12
GND-4021ES	GaAlAs	Super Red		660	1.8	20	10	13
GND-4021ED	GaAlAs	Ultra Red		660	1.8	20	25	30
GND-4021EUE	AlGaInP	Ultra Red		625	2.0	20	30	35
GND-4021EUJ	AlGaInP	Ultra Yellow		590	2.0	20	30	35
GND-4021FE	GaAsP/GaP	Hi.effi Red		Common Anode	635	2.0	20	9
GND-4021FG	Gap	Green	565		2.1	20	8	11
GND-4021FY	GaAsP/GaP	Yellow	585		2.0	20	9	12
GND-4021FS	GaAlAs	Super Red	660		1.8	20	10	13
GND-4021FD	GaAlAs	Super Red	660		1.8	20	25	30
GND-4021FUE	AlGaInP	Ultra Red	625		2.0	20	30	35
GND-4021FUJ	AlGaInP	Ultra Yellow	590		2.0	20	30	35