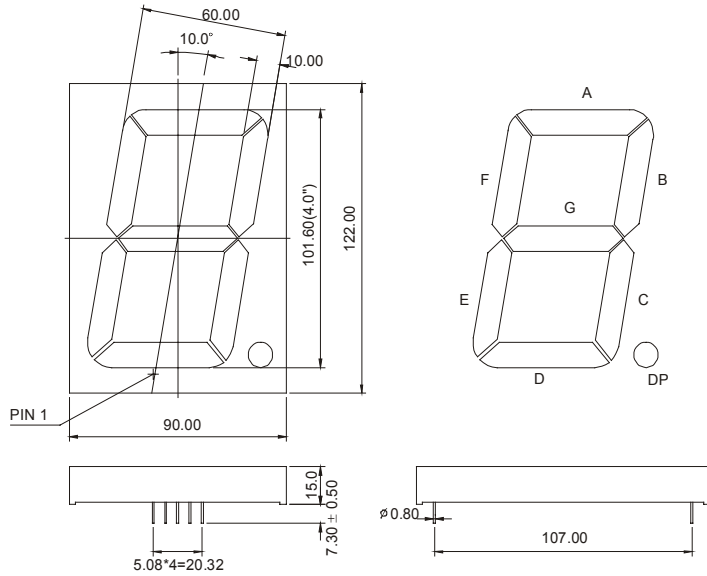
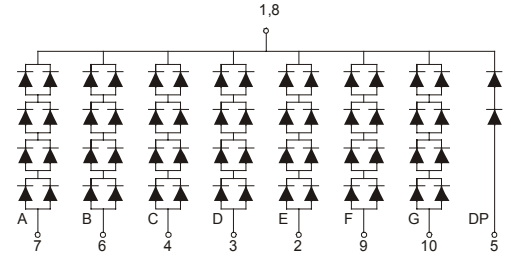


GNS-40011Cx-Dx (SINGLE COLOR MATRIX DISPLAY)

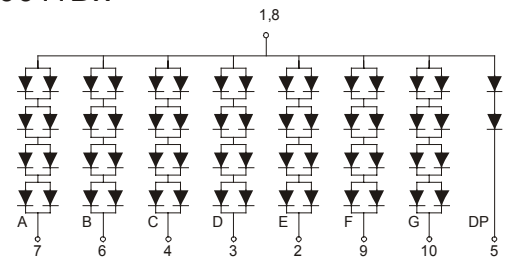
GNS-40011 Series



GNS-40011Cx



GNS-40011Dx



Features:

*4.0 INCH HIGH CHARACTER.

*EXCELLENT CHARACTER APPEARANCE.

*COMMON CATHODE OR COMMON ANODE.

*I.C. COMPATIBLE.

*LOW POWER CONSUMPTION.

Part Number	EMITTED COLOR		Common Cathode or Common Anode	Peak Wavelength (nm)	Vf (v) Typ	If (mA)	Intensity Per Segment (mcd)	
							Min.	Typ.
GNS-40011CE	GaAsP/GaP	Hi.effi Red	Common Cathode	635	2.0	15	72	96
GNS-40011CG	GaP	Green		565	2.1	15	64	88
GNS-40011CY	GaAsP/GaP	Yellow		585	2.0	15	72	96
GNS-40011CS	GaAlAs	Super Red		660	1.8	15	80	104
GNS-40011CD	GaAlAs	Ultra Red		660	1.8	15	200	240
GNS-40011CUE	AlGaInP	Ultra Red		625	2.0	15	320	480
GNS-40011CUY	AlGaInP	Ultra Yellow		590	2.0	15	320	480
GNS-40011CUG	AlGaInP	Ultra Green		574	2.1	15	200	320
GNS-40011DE	GaAsP/GaP	Hi.effi Red		Common Anode	635	2.0	15	72
GNS-40011DG	GaP	Green	565		2.1	15	64	88
GNS-40011DY	GaAsP/GaP	Yellow	585		2.0	15	72	96
GNS-40011DS	GaAlAs	Super Red	660		1.8	15	80	104
GNS-40011DD	GaAlAs	Ultra Red	660		1.8	15	200	240
GNS-40011DUE	AlGaInP	Ultra Red	625		2.0	15	320	480
GNS-40011DUY	AlGaInP	Ultra Yellow	590		2.0	15	320	480
GNS-40011DUG	AlGaInP	Ultra Green	574		2.1	15	200	320