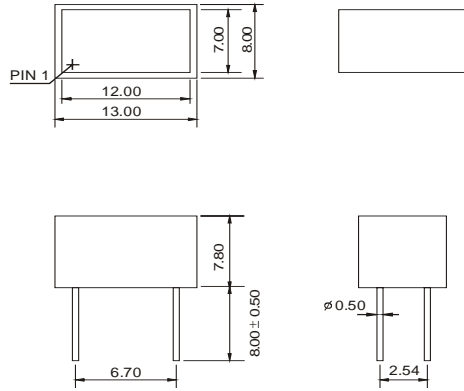
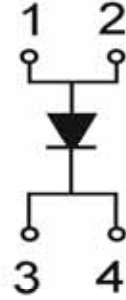


GNA- R1308(1408)Zx

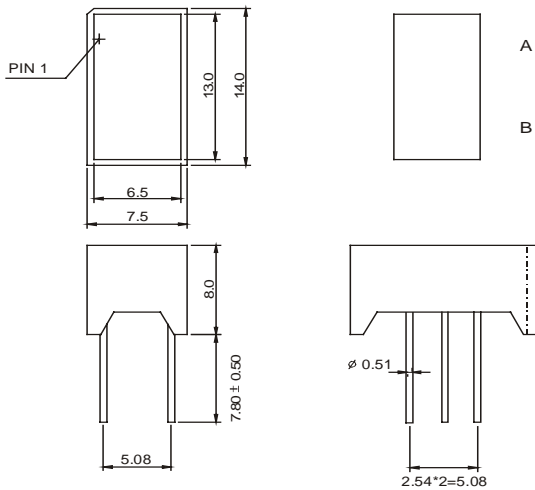
GNA-R1308 Series



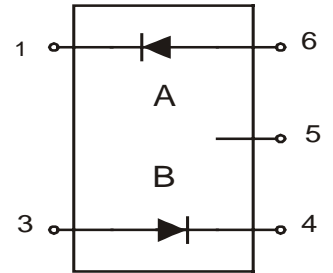
GNA-R1308ZX



GNA-R1408 Series



GNA-R1408Zx



2 NO PIN 5 NO CONNECT

Part Number	EMITTED COLOR		Common Cathode or Common Anode	Peak Wavelength (nm)	Vf (v) Typ	If (mA)	Intensity Per Block (mcd)	
							Min.	Typ.
GNA-R1308ZE	GaAsP/GaP	Hi.effi Red	Common Cathode	635	10-20	20	9	12
GNA-R1308ZG	GaP	Green		565	10-20	20	8	11
GNA-R1308ZY	GaAsP/GaP	Yellow		585	10-20	20	9	12
GNA-R1308ZS	GaAlAs	Super Red		660	10-20	20	10	13
GNA-R1308ZD	GaAlAs	Ultra Red		660	10-20	20	25	30
GNA-R1308ZUE	AlGaInP	Ultra Red		625	10-20	20	30	35
GNA-R1308ZUY	AlGaInP	Ultra Yellow		590	10-20	20	30	35

GNA-R1408ZE	GaAsP/GaP	Hi.effi Red	Common Cathode	635	10-20	20	18	24
GNA-R1408ZG	GaP	Green		565	10-20	20	16	22
GNA-R1408ZY	GaAsP/GaP	Yellow		585	10-20	20	18	24
GNA-R1408ZS	GaAlAs	Super Red		660	10-20	20	20	26
GNA-R1408ZD	GaAlAs	Ultra Red		660	10-20	20	50	60
GNA-R1408ZUE	AlGaInP	Ultra Red		625	10-20	20	60	70
GNA-R1408ZUY	AlGaInP	Ultra Yellow		590	10-20	20	60	70