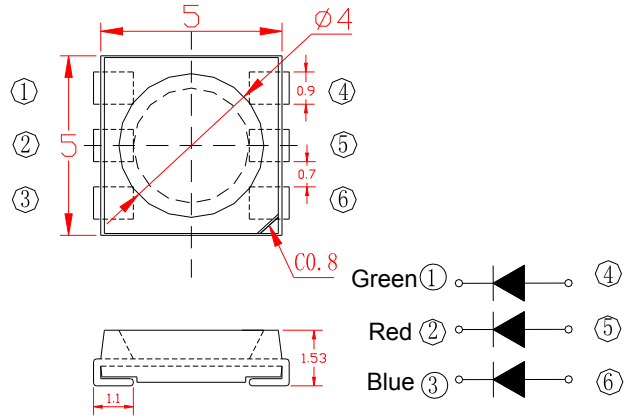


GNL-5050xx (5.0X5.0mm TOP TYPE)

ABSOLUTE MAXIMUM RATING:(Ta=25°C)

Parameter	Symbol	Max	Unit
DC Forward Current	I_F	60	mA
Reverse Voltage	V_R	6	V
Reverse Current (Vr=5V)	I_R	10	μ A
Peak Forward Current ,tw ,=1 msec Duty ,=1/20	I_{FP}	100	mA
Operation Temperature	T_{opr}	-20-80	°C
Storage Temperature	T_{stg}	-40-80	°C
Solder Dip (10seconds,1.6mm from body) Temperature		260	°C

Package Dimensions



1、 All dimensions are in millimeters

2、 Tolerance of + or - 0.25mm 0.010 in. (unless otherwise noted)

Part Number	EMITTED COLOR		Lens Color	Peak Wavelength (nm)	Vf (v) Typ	IV (If=20mA) mcd		View Angle 2 θ 1/2
						Min.	Typ.	
GNL-5050RGBC	AlGaInP/Si	Red	Water Clear	620 - 625	2.0	250	500	120°
	INGaN	Green	Water Clear	515 - 525	3.2	800	1000	120°
	INGaN	Blue	Water Clear	465 - 470	3.2	150	320	120°